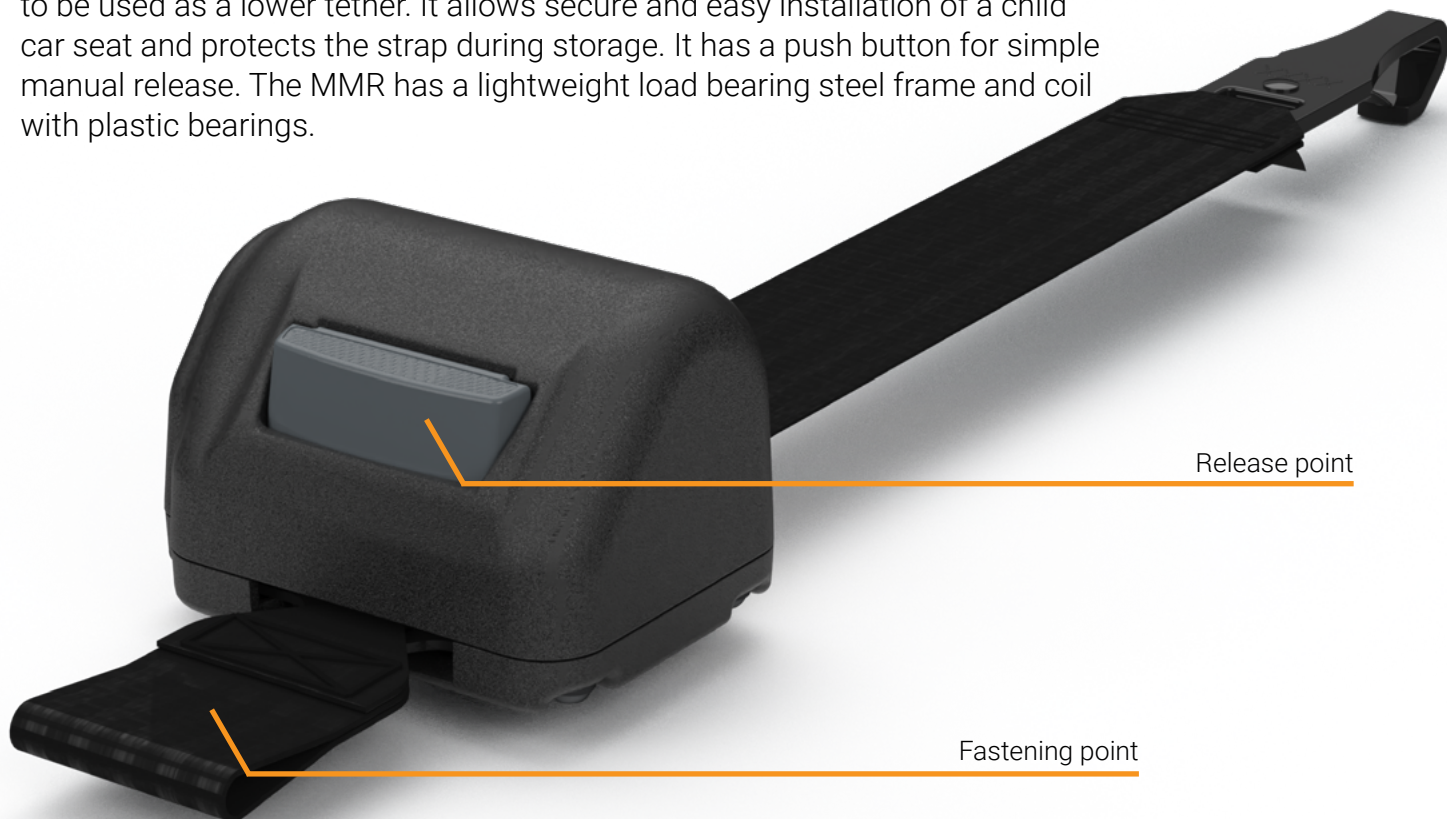


Mini Metal Retractor with plastic cover

The Mini Metal Retractor is an ALR (Automatic Locking Retractor) designed to be used as a lower tether. It allows secure and easy installation of a child car seat and protects the strap during storage. It has a push button for simple manual release. The MMR has a lightweight load bearing steel frame and coil with plastic bearings.



Technical data
Size: 85 x 70 x 55 mm
Weight: 310 g (including snap hook)
Webbing width: up to 39 mm
Webbing capacity: up to 900 mm with 0,7 mm webbing thickness
Fastening: with webbing
Push button release

Benefits of having MMR in a lower tether

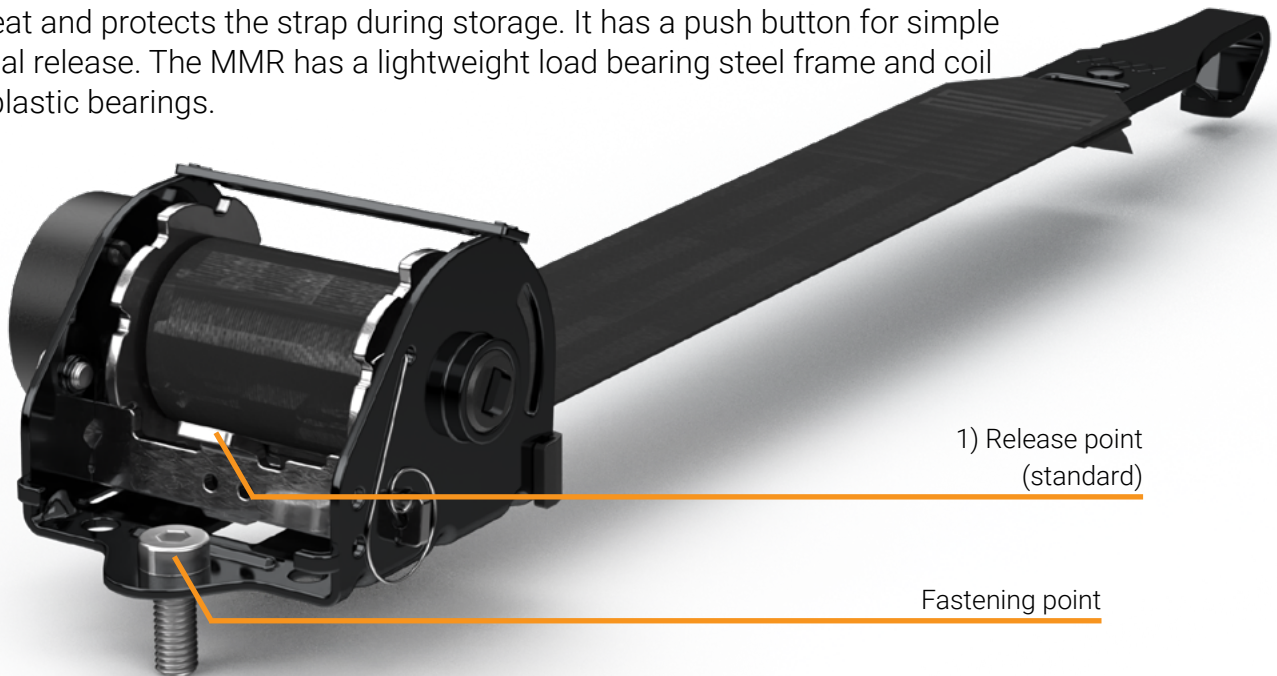
- > Simplifies installation of child car seat
- > Self-tightening
- > No risk for strap loosening over time
- > Strap is protected during storage



Safety that never stops

Mini Metal Retractor without plastic cover

The Mini Metal Retractor is an ALR (Automatic Locking Retractor) designed to be used as a lower tether. It allows secure and easy installation of a child car seat and protects the strap during storage. It has a push button for simple manual release. The MMR has a lightweight load bearing steel frame and coil with plastic bearings.



Technical data

Size: 75 x 65 x 45 mm

Weight: 250 g (including snap hook)

Webbing width: up to 39 mm

Webbing capacity: up to 900 mm with 0,7 mm webbing thickness

Fastening: with webbing or M6 screw (Ø 6,5 mm hole)

Two release point possibilities:

- 1) Release point (standard)
- 2) Bottom release point (alternative)

2) Bottom release point (alternative)



Benefits of having MMR in a lower tether

- > Simplifies installation of child car seat
- > Self-tightening
- > No risk for strap loosening over time
- > Strap is protected during storage



Safety that never stops